

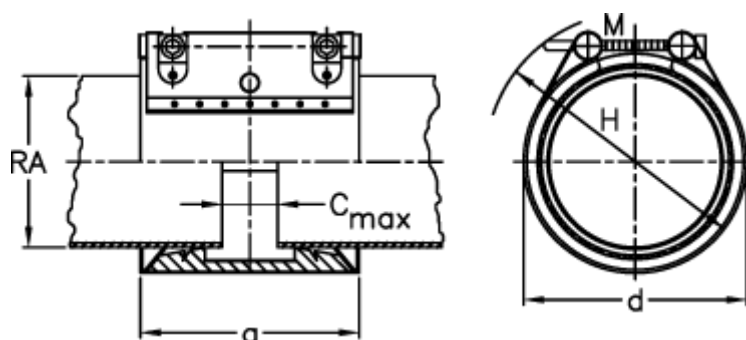
# Data Sheet



Article number: 025789100078

Description: Norma Connect pipe coupling  
GRIP W2 Ø=78,0 EPDM, 16 bar

## Measures



|                           |             |
|---------------------------|-------------|
| a                         | = 98        |
| C max with insertion band | = 25        |
| d                         | = 100       |
| H                         | = 120       |
| M (screw)                 | = M10       |
| Nominal pressure (bar)    | = 16        |
| RA                        | = 78        |
| RA min-RA max             | = 77,1-78,9 |

Weight a piece = 1.4